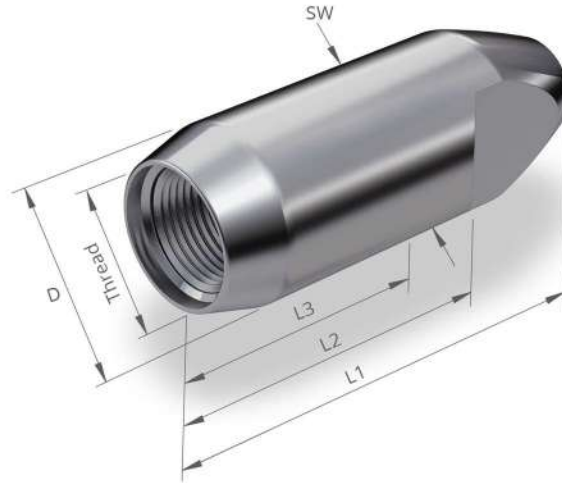


# Socket (50-)



Article No	Rod Size		Thread Inch	D mm	L1 mm	L2 mm	L3 mm	SW mm	Break Load Kg	Weight Kg
	Dash	mm								
50516040	-3	4.0	5/16"-24	12.0	38.0	23.0	15.0	8	2100	0.018
50380045	-4	4.4	3/8"-24	14.0	41.0	26.0	18.0	9	2750	0.018
50716050	-6	5.0	7/16"-20	16.0	43.0	28.0	20.0	11	3600	0.033
50120050	-6	5.0	1/2"-20	18.0	46.0	30.0	22.0	11	3600	0.047
50716057	-8	5.7	7/16"-20	16.0	43.0	28.0	20.0	11	4650	0.033
50120057	-8	5.7	1/2"-20	18.0	46.0	30.0	22.0	13	4650	0.047
50120060	-9	6.0	1/2"-20	18.0	46.0	30.0	22.0	13	4850	0.046
50120064	-10	6.4	1/2"-20	18.0	46.0	30.0	22.0	13	5850	0.045
50340064	-10	6.4	3/4"-16	26.0	68.0	43.0	32.0	16	5850	0.140
50340070	-11	7.0	3/4"-16	26.0	68.0	43.0	32.0	16	6850	0.138
50120071	-12	7.1	1/2"-20	18.0	46.0	27.0	46.0	14	7200	0.045
50580071	-12	7.1	5/8"-18	22.0	60.0	38.0	27.0	16	7250	0.087
50580075	-15	7.5	5/8"-18	22.0	60.0	38.0	27.0	16	7750	0.088
50580080	-16	8.0	5/8"-18	22.0	60.0	38.0	27.0	16	8550	0.086
50580084	-17	8.4	5/8"-18	22.0	60.0	38.0	27.0	16	9850	0.085
50340084	-17	8.4	3/4"-16	26.0	68.0	43.0	32.0	19	10150	0.136
50780084	-17	8.4	7/8"-14	30.0	82.0	52.0	37.0	19	10150	0.200
50340095	-22	9.5	3/4"-16	26.0	68.0	43.0	32.0	19	12950	0.132
50780111	-30	11.1	7/8"-14	30.0	82.0	52.0	37.0	22	17700	0.205
50100127	-40	12.7	1"-12	35.0	88.0	56.0	41.0	24	22450	0.316
50118143	-48	14.3	1 1/8"-12	38.5	93.0	61.0	46.0	27	28450	0.379
50114168	-60	16.8	1 1/4"-12	44.0	111.0	61.0	51.0	32	37200	0.635
50138179	-76	17.9	1 3/8"-12	48	127	75	64	36	43050	0.927
50112195	-91	19.5	1 1/2"-12	52	135	79	69	41	49500	1.148
5011116222	-115	22.2	1 11/16"-12	59	155	91	80	41	63650	1.610
50178254	-150	25.4	1 7/8"-8	66	173	99	85	50	80600	2.345
50200271	-170	27.1	2"-8	70	186	107	92	50	92500	2.792

Material: Acidproof Stainless Steel