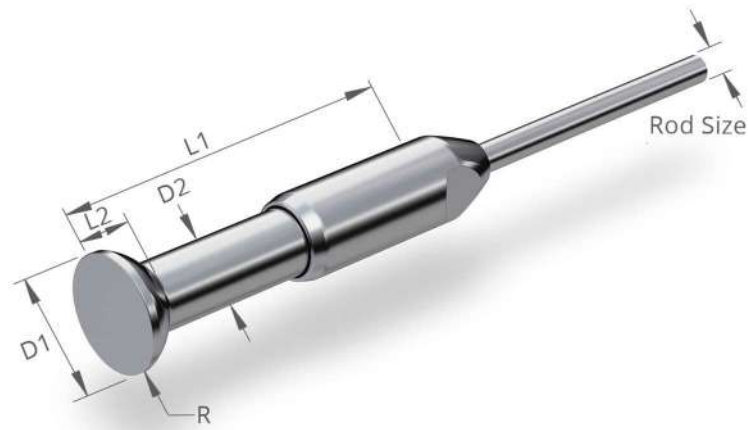


Ball w/ Socket (57-)



Article No	Rod Size		D1 mm	D2 mm	L0 mm	L1 mm	L2 mm	R mm	Break Load Kg	Weight Kg
	Dash	mm								
57516040	-3	4.0	15.5	8.9	53.0	63.5	5.5	7.8	2100	0.039
57380045	-4	4.4	18.5	10.4	64.5	75.5	6.1	9.8	2750	0.053
57716050	-6	5.0	21.5	11.6	69.7	85.7	8.6	10.8	3600	0.083
57716057	-8	5.7	21.5	11.6	69.0	86.7	8.6	10.8	4650	0.082
57716060	-9	6.0	21.5	11.6	68.1	87.7	8.6	10.8	4750	0.082
57120064	-10	6.4	21.5	13.2	72.7	89.8	8.1	10.8	5850	0.113
57120071	-12	7.1	21.5	13.2	70.6	91.2	8.1	10.8	6400	0.113
57580071	-12	7.1	27.4	17.3	87.0	106.5	8.4	14.8	7250	0.223
57580075	-15	7.5	27.4	17.3	87.5	106.5	8.4	14.8	7750	0.224
57580080	-16	8.0	27.4	17.3	87.5	107.5	8.4	14.8	8550	0.222
57580084	-17	8.4	27.4	17.3	86.4	108.1	8.4	14.8	9850	0.221
57340095	-22	9.5	27.6	20.0	90.2	116.6	9.6	14.8	12950	0.327
57780111	-30	11.1	34.8	22.3	106.9	140.5	11.9	19.8	17700	0.496
57100127	-40	12.7	39.8	25.8	112.5	144.1	13.4	24.8	22450	0.715
Material: Acidproof Stainless Steel										
For Socket outer diameter see Socket (50-) same Dash Size										