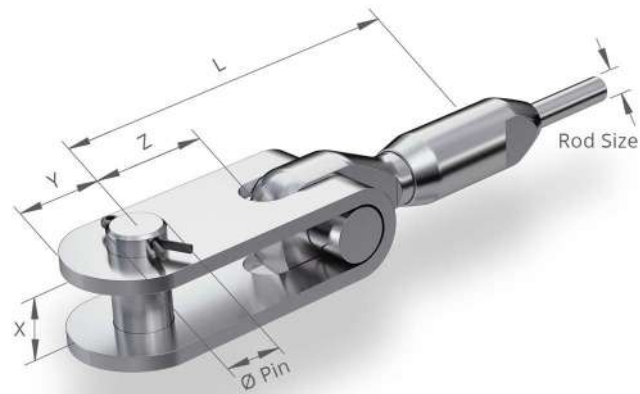


Toggle w/ Eye & Socket (51-)



Article No	Rod Size		Ø Pin		W mm	X mm	Y mm	Z mm	L mm	Break Load Kg	Weight Kg
	Dash	mm	Inch	mm							
51516040S	-3	4.0	5/16"	7.9	20.0	9.0 ± 0.5	12.0	26.0	82.0	2000	0.10
51380045S	-4	4.4	3/8"	9.5	25.0	11.0 ± 0.5	15.0	29.5	95.0	2650	0.17
51716050S	-6	5.0	7/16"	11.1	25.0	13.0 ± 0.5	15.0	31.5	101.0	3450	0.25
51716057S	-8	5.7	7/16"	11.1	25.0	13.0 ± 0.5	15.0	31.5	101.0	4450	0.25
51716060S	-9	6.0	7/16"	11.1	25.0	13.0 ± 0.5	15.0	31.5	101.0	4650	0.25
51120060S	-9	6.0	1/2"	12.7	30.0	14.0 ± 0.5	17.5	35.0	113.0	4650	0.35
51120064S	-10	6.4	1/2"	12.7	30.0	14.0 ± 0.5	17.5	35.0	113.0	5650	0.35
51120071S	-12	7.1	1/2"	12.7	30.0	14.0 ± 0.5	17.5	35.0	113.0	6400	0.35
51580071S	-12	7.1	5/8"	15.9	40.0	17.5 ± 0.5	21.0	34.5	128.5	6950	0.63
51580071LS	-12	7.1	5/8"	15.9	40.0	17.5 ± 0.5	21.0	46.7	138.9	7250	0.67
51580075S	-15	7.5	5/8"	15.9	40.0	17.5 ± 0.5	23.0	34.5	128.5	7400	0.63
51580080S	-16	8.0	5/8"	15.9	40.0	17.5 ± 0.5	23.0	34.5	128.5	8200	0.63
51580084S	-17	8.4	5/8"	15.9	40.0	17.5 ± 0.5	23.0	34.5	128.5	9700	0.63
51340095S	-22	9.5	3/4"	19.1	50.0	21.5 ± 0.5	26.0	37.0	145.5	12450	0.96
51340095LS	-22	9.5	3/4"	19.1	50.0	21.5 ± 0.5	26.0	53.5	159.0	13000	1.07
51780111S	-30	11.1	7/8"	22.2	60.0	24.0 ± 0.5	32.0	46.0	172.0	17000	1.66
51100127S	-40	12.7	1"	25.4	60.0	28.0 ± 0.5	35.0	60.5	199.0	21500	2.08
51118143S	-48	14.3	1 1/8"	28.6	70.0	31.5 ± 0.5	40.0	54.5	208.5	27250	2.95

Material: Acidproof Stainless Steel

For Socket outer diameter see Socket (50-) page 36, same Dash size