

VRE5 (RH) / VRE6 (LH) Regatta Thread Eye

Technical Data
 Forging material : AISI316 - DIN 1.4401
 Surface treatment : "E.P." (Electro polished)



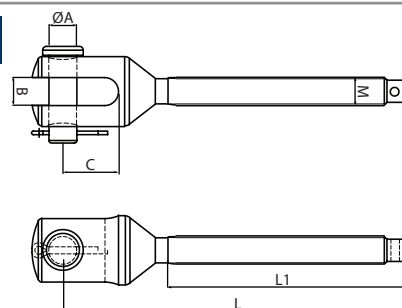
R/H VRE5	SIZE M (Thread)	ØA (mm)	B (mm)	C (mm)	L (mm)	L1 (mm)
VRE5-0516	5/16"-24UNF	8.5	7.2	10	90	69
VRE5-0308	3/8"-24UNF	9.8	9	11	105	80
VRE5-0716	7/16"-20UNF	11.5	10.2	15	129	94
VRE5-0102	1/2"-20UNF	13.2	12	15	132	98
VRE5-0508	5/8"-18UNF	16.5	15	18	162	117
VRE5-0304	3/4"-16UNF	20	18	25	189	135
VRE5-0708	7/8"-14UNF	23	21	25	214	149
VRE5-1000	1"-12UNF	26.5	24	34	240	168

L/H VRE6	SIZE M (Thread)	ØA (mm)	B (mm)	C (mm)	L (mm)	L1 (mm)
VRE6-0516	5/16"-24UNF	8.5	7.2	10	90	69
VRE6-0308	3/8"-24UNF	9.8	9	11	105	80
VRE6-0716	7/16"-20UNF	11.5	10.2	15	129	94
VRE6-0102	1/2"-20UNF	13.2	12	15	132	98
VRE6-0508	5/8"-18UNF	16.5	15	18	162	117
VRE6-0304	3/4"-16UNF	20	18	25	189	135
VRE6-0708	7/8"-14UNF	23	21	25	214	149
VRE6-1000	1"-12UNF	26.5	24	34	240	168



VRF5, VRF6 Machined Fork Terminal

Technical Data
 Forging material : AISI316 - DIN 1.4401 (cone)
 Surface treatment : "E.P." (Electro polished)



VRF5	SIZE (for cable)	ØA (mm)	B (mm)	C (mm)	E (mm)	L (mm)	MBL (kgf)
VRF5-0516	5/16"-24UNF	8	7.9	17	9	100	2,400
VRF5-0308	3/8"-24UNF	9.5	10	20	10.5	115	3,600
VRF5-0716	7/16"-20UNF	11	11	22	12	135	5,000
VRF5-0102	1/2"-20UNF	12.7	13	26	14.4	145	6,800
VRF5-0508	5/8"-18UNF	16	16	32	17.2	175	10,900
VRF5-0304	3/4"-16UNF	19	19	38	22	205	15,900
VRF5-0708	7/8"-14UNF	22	22	45	25	230	21,500

VRF6	SIZE (for cable)	ØA (mm)	B (mm)	C (mm)	E (mm)	L (mm)	MBL (kgf)
VRF6-0516	5/16"-24UNF	8	7.9	17	9	100	2,400
VRF6-0308	3/8"-24UNF	9.5	10	20	10.5	115	3,600
VRF6-0716	7/16"-20UNF	11	11	22	12	135	5,000
VRF6-0102	1/2"-20UNF	12.7	13	26	14.4	145	6,800
VRF6-0508	5/8"-18UNF	16	16	32	17.2	175	10,900
VRF6-0304	3/4"-16UNF	19	19	38	22	205	15,900
VRF6-0708	7/8"-14UNF	22	22	45	25	230	21,500