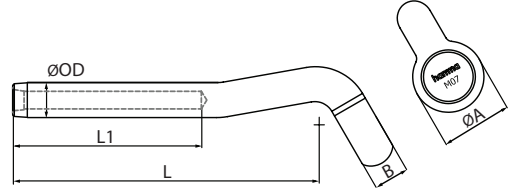




GRST Regatta Shroud Terminal

Technical Data
 Forging material : AISI316 - DIN 1.4401
 Surface treatment : "E.P." (Electro polished)

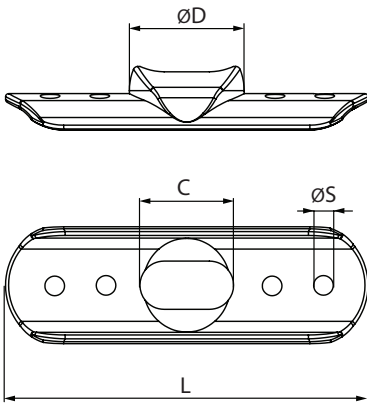


GRST Code	SIZE C (for cable)	ØA (mm)	B (mm)	L (mm)	L1 (mm)	ØOD (mm)	Plate Size
GRST-0004-0019	4	18	9	84	44	7.5	19
GRST-0005-0019	5	18	9	93	55	9	19
GRST-0006-0024	6	23	12.5	112	66	12.5	24
GRST-0007-0031	7	29	14.5	123	77	14.2	31mm
GRST-0008-0032	8	30.5	16.5	152	88	16.1	32mm
GRST-0010-0034	10	33	18	178	110	17.8	34mm
GRST-0011-0040	11	39	21	220	123	19.8	40mm
GRST-0012-0040	12	39	21	220	132	21.4	40mm



GRSP Regatta Shroud Terminal Plate

Technical Data
 Casting material : AISI316 - DIN 1.4408
 Surface treatment : "E.P." (Electro polished)



GRSP Code	SIZE	C (mm)	L (mm)	ØS (mm)
GRSP-0010-0019	19	19	88	5.2
GRSP-0014-0024	24	24	95	6.5
GRSP-0016-0031	31	31	120	6.5
GRSP-0017-0032	32	32	120	6.5
GRSP-0020-0034	34	34	150	6.5
GRSP-0022-0040	40	50	176	6.5