

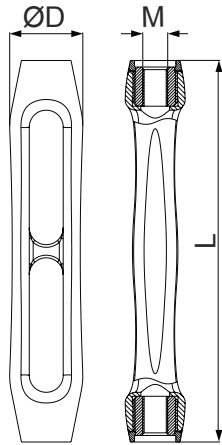


O2B1 Ocean Series - Stainless Body Bronze Insert

Technical Data

Body material : Casting / Forged AISI316, EN 1.4401
Surface treatment : "M.P." (Mirror Polished)

Forged stainless body with bronze insert



O2B1 Code	SIZE M (Thread)	ØD (mm)	L1 (mm)	MBL (kgf)
O2B1-0102	1/2"-20UNF	38	180	6,800
O2B1-0508	5/8"-18UNF	38	210	10,900
O2B1-0304	3/4"-16UNF	44	243	15,900
O2B1-0708	7/8"-14UNF	51	270	21,700
O2B1-1000	1"-12UNF	55	306	28,300

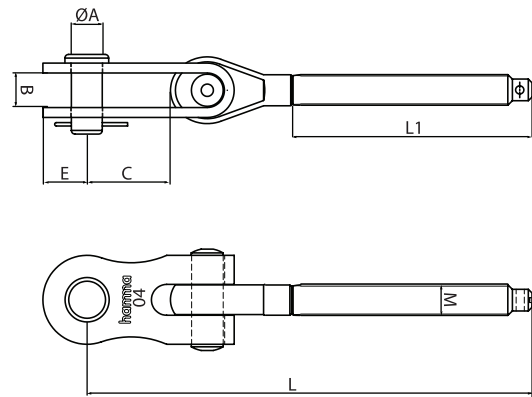
FORGED STAINLESS BODY



VRG5, VRG6 Regatta Thread Toggle

Technical Data

Forging material : AISI316 - DIN 1.4401 (cone)
Surface treatment : "E.P." (Electro polished)



R/H VRG5 Code	SIZE M (Thread)	ØA (mm)	B (mm)	C (mm)	E (mm)	L (mm)	L1 (mm)	MBL (kgf)
VRG5-0104	1/4"-28UNF	6.35	7	29	10	108	59	1,550
VRG5-0516	5/16"-24UNF	8	9	35	12	125	69	2,400
VRG5-0308	3/8"-24UNF	9.5	11	40.5	14	145.5	80	3,600
VRG5-0716	7/16"-20UNF	11	14	49	18	178	94	5,000
VRG5-0102	1/2"-20UNF	12.7	14	49	18	181	98	6,800
VRG5-0508	5/8"-18UNF	15.8	18	61	21	223	117	10,900
VRG5-0304	3/4"-16UNF	19	22	70	24	259	135	15,900
VRG5-0708	7/8"-14UNF	22.2	25	75	29	289	149	21,500
VRG5-1000	1"-12UNF	25.4	28	92	31.5	332	168	28,300

L/H VRG6 Code	SIZE M (Thread)	ØA (mm)	B (mm)	C (mm)	E (mm)	L (mm)	L1 (mm)	MBL (kgf)
VRG6-0104	1/4"-28UNF	6.35	7	29	10	108	59	1,550
VRG6-0516	5/16"-24UNF	8	9	35	12	125	69	2,400
VRG6-0308	3/8"-24UNF	9.5	11	40.5	14	145.5	80	3,600
VRG6-0716	7/16"-20UNF	11	14	49	18	178	94	5,000
VRG6-0102	1/2"-20UNF	12.7	14	49	18	181	98	6,800
VRG6-0508	5/8"-18UNF	15.8	18	61	21	223	117	10,900
VRG6-0304	3/4"-16UNF	19	22	70	24	259	135	15,900
VRG6-0708	7/8"-14UNF	22.2	25	75	29	289	149	21,500
VRG6-1000	1"-12UNF	25.4	28	92	31.5	332	168	28,300

www.hamma.co