

OP-Hook Ocean Pelican Hook

Technical Data
 Terminal : Machined
 : AISI316-DIN 1.4401
 Hook, Lever : Casting Material
 : AISI316 - DIN 1.4408
 Surface treatment : Mirror Polished / Passivated

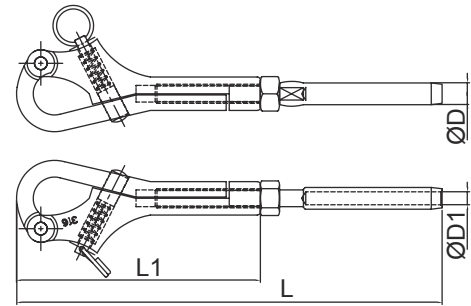


OP-Hook Code	SIZE	ØD1 (for cable)	L (mm)	B.L. (kgf)
6283-2197-P046	5/16"-24UNF	4	150	1,500
6283-2198-P046	5/16"-24UNF	5	156	1,500

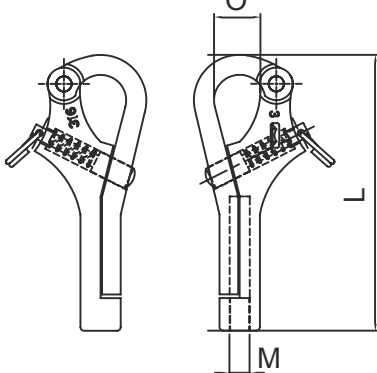


S2831-I4 Pelican Hook with Stud Terminal

Technical Data
 Casting material : AISI316 - DIN 1.4408
 Forging material : AISI316 - DIN 1.4401
 Production : S2831-I4
 Terminal - Forged
 Surface treatment : "E.P." (Electro polished)



S2831-I4 Code	SIZE (cable/ thread)	ØD (mm)	ØD1 (mm)	L (mm)	L1 (mm)	B.L. (kgf)
6283-0414	4mm*M8	7.54	4.3	168	100	1,500
6283-0514	5mm*M8	9.08	5.3	176	100	1,500



S2831 Pelican Hook

Technical Data
 Casting material : AISI316 - DIN 1.4408
 Forging material : AISI316 - DIN 1.4401
 Production : S2831 - Hook - Cast
 Surface treatment : "E.P." (Electro polished)



S2831 Code	SIZE (mm)	L (mm)	M (mm)	O (mm)	B.L. (kgs)
6283-1008	M8	100	M8	16	1,500