

S3062/E1 Swivel Screw

Technical Data
 Casting material : AISI316 - DIN 1.4408
 Production : S3062/E1 - Swivel - Cast
 Surface treatment : "E.P." (Electro polished)

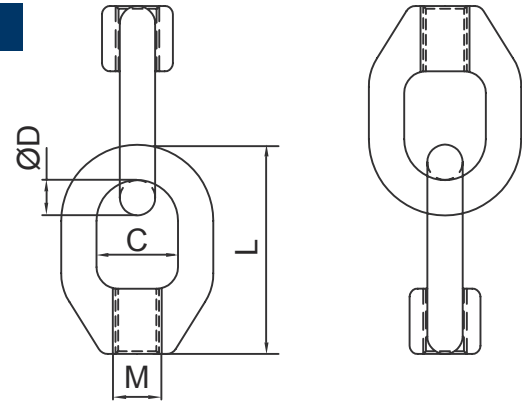


S3062/E1	SIZE	C	ØD	L	M
Code	(mm/inch)	(mm)	(mm)	(mm)	(thread)
6306-2108	8	15	6.5	37.5	M8
6306-2536	5/16"UNF	15	6.5	37.5	5/16"UNF

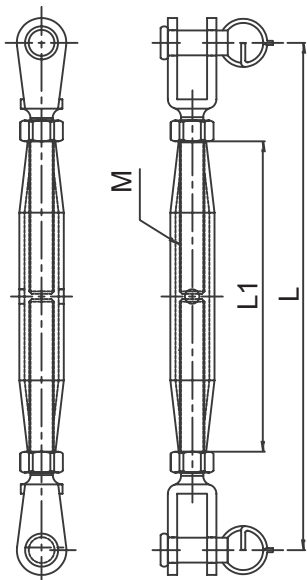


S3062/E2 Swivel Cross Screw

Technical Data
 Casting material : AISI316 - DIN 1.4408
 Production : S3062/E2 - Swivel - Cast
 Surface treatment : "E.P." (Electro polished)



S3062/E2	SIZE	C	ØD	L	M
Code	(mm/inch)	(mm)	(mm)	(mm)	(thread)
6306-2208	8	15	6.5	37.5	M8
6306-2526	5/16"UNF	15	6.5	37.5	5/16"UNF



SF312P Pipe Turnbuckle (Jaw and Jaw)

Technical Data
 Forging material : AISI316 - DIN 1.4401
 Production : SF312P - Jaw - Forged
 Accessory - See chart
 Surface treatment : "M.F." (Matte finished)



SF312P	SIZE	L	L1	M	B.L.
Code	(mm)	(mm)	(mm)	(thread)	(kgf)
6312-0505	5	115	80	M5	750
6312-0506	6	142	90	M6	1,400
6312-0508	8	160	105	M8	2,200
6312-0510	10	200	125	M10	3,450
6312-0512	12	245	150	M12	5,000