

S2482
Snap Shackle
(Cast Swivel Eye)

Technical Data
 Casting material : AISI316 - DIN 1.4408
 Forging material : AISI316 - DIN 1.4401
 Production : S2482, S2478
 Shackle - Cast
 Swivel - Cast
 Pin - Forged
 Surface treatment : "E.P." (Electro polished)

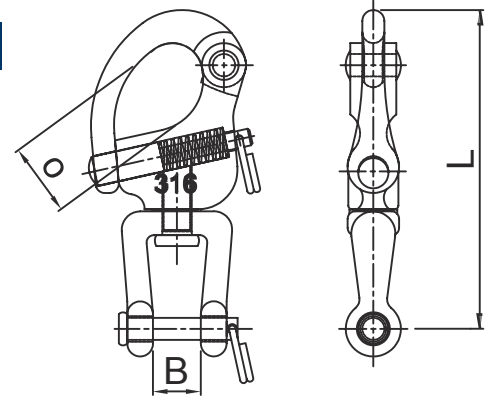


S2482	SIZE	B	L	O	B.L.
Code	(Cable)	(mm)	(mm)	(mm)	(kgf)
6248-2001	1	12	67	14	1,100
6248-2021	2	16	87	20	2,000
6248-2304	3	22	126	27	3,500

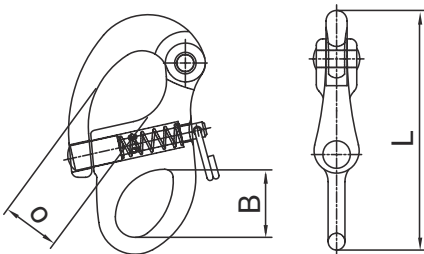


S2478
Snap Shackle
(Swivel Jaw)

Technical Data
 Casting material : AISI316 - DIN 1.4408
 Forging material : AISI316 - DIN 1.4401
 Production : S2482, S2478
 Shackle - Cast
 Swivel - Cast
 Pin - Forged
 Surface treatment : "E.P." (Electro polished)



S2478	SIZE	B	L	O	B.L.
Code	(Cable)	(mm)	(mm)	(mm)	(kgf)
6247-8170	1	13	70	14	1,100
6247-8288	2	13	87	20	2,000
6247-8313	3	22	127	27	3,500



S2483
Fixed Snap Shackle

Technical Data
 Casting material : AISI316 - DIN 1.4408
 Forging material : AISI316 - DIN 1.4401
 Production : S2483
 Shackle - Cast
 Pin - Forged
 Surface treatment : "E.P." (Electro polished)



S2483	SIZE	B	L	O	B.L.
Code	(mm)	(mm)	(mm)	(mm)	(kgf)
6248-3000	0	6.5	32	9	400
6248-3001	1	16	56	12	1,100
6248-3322	2	21	70	19	2,000
6248-3333	3	21	102	25	3,500