

**S362LK**  
Long D-Shackle  
(locking pin)

**Technical Data**  
Casting material : AISI316 - DIN 1.4408  
Forging material : AISI316 - DIN 1.4401  
Production : S362LK - Shackle - Cast  
Pin - Forged  
Surface treatment : "E.P."(Electro polished)

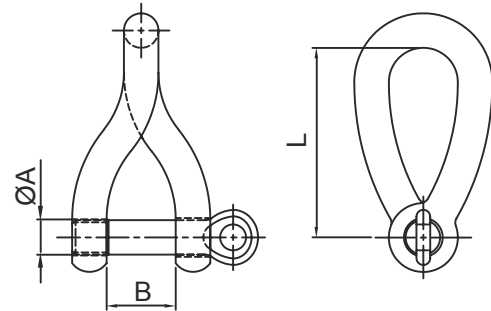


S362LK Code	SIZE (mm)	ØA (mm)	B (mm)	L (mm)	B.L. (kgf)
6362-2004	4	4.40	8	32	500
6362-2005	5	4.40	10	40	1,000
6362-2006	6	5.25	12	48	1,700
6362-2008	8	7.10	16	64	2,500
6362-2010	10	8.90	20	80	3,500
6362-2012	12	10.70	24	96	5,400



**S380, S380LK**  
Twist Shackle, Twist  
Shackle with Locking Pin

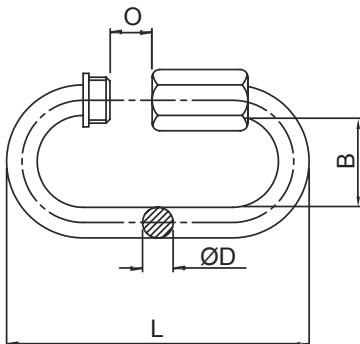
**Technical Data**  
Casting material : AISI316 - DIN 1.4408  
Forging material : AISI316 - DIN 1.4401  
Production : S380 - Shackle - Cast  
Pin - Forged  
S380LK - Shackle - Cast  
Pin - Forged  
Surface treatment : "E.P." (Electro polished)



S380 Code	SIZE (mm)	ØA (mm)	B (mm)	L (mm)	B.L. (kgf)
6380-0004	4	4	8	24	665
6380-0005	5	5	10	30	1,100
6380-0006	6	6	12	36	1,600
6380-0008	8	8	16	44	2,800

S380LK Code	SIZE (mm)	ØA (mm)	B (mm)	L (mm)	B.L. (kgf)
6380-5006	6	6	12	36	1,600
6380-5008	8	8	16	44	2,800



**SF7350**  
Quick Link

**Technical Data**  
Forging material : AISI316 - DIN 1.4401  
Production : SF7350 - Link - Forged  
Surface treatment : "E.P."(Electro polished)



SF7350 Code	SIZE (mm)	B (mm)	ØD (mm)	L (mm)	O (mm)
2735-0004	4	11	4	39.5	5.5
2735-0005	5	12.5	5	48.5	6.5
2735-0006	6	14	6	57	7.5
2735-0008	8	17	8	74	10