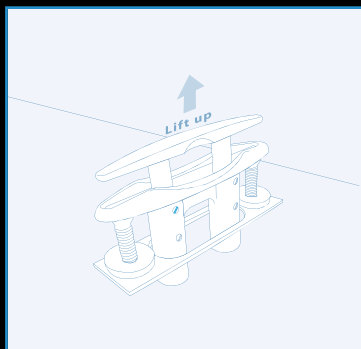


# Anchor, Cleats & Rod holders



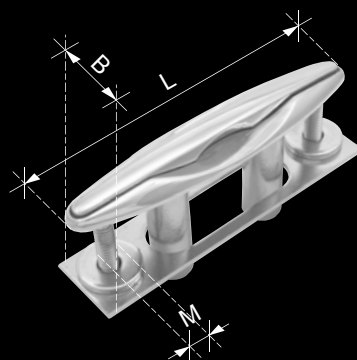
## S301

### Technical Data

Casting material : AISI316 - DIN 1.4408  
 Production : S301 - Cleat - Cast  
 Surface treatment : "M.P." (Mirror polished)

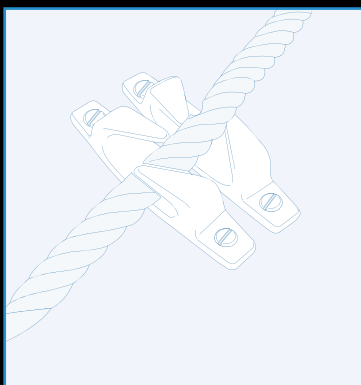
### Field of application

Pull up cleats are designed for assembly onto motorboats with internal rest settings for a strim line appearance.



**S301**  
Pull up cleat

Item no.	S301	SIZE	B	L	M	
Material	SS316	(inch)	(mm)	(mm)	(thread)	
	6301-0405	4.5"	30.5	121.6	5/16"-18UNC	50
	6301-0600	6"	38.0	160.0	3/8"-16UNC	20
	6301-0800	8"	51.0	214.3	3/8"-16UNC	10



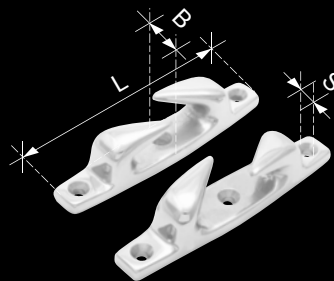
## S506L, S506R

### Technical Data

Casting material : AISI316 - DIN 1.4408  
 Production : S506L, S506R - Chocks - Cast  
 Surface treatment : "M.P." (Mirror polished)

### Field of application

Skene chocks are manufactured with highest precision in casting material to avoid any rust during sea application.

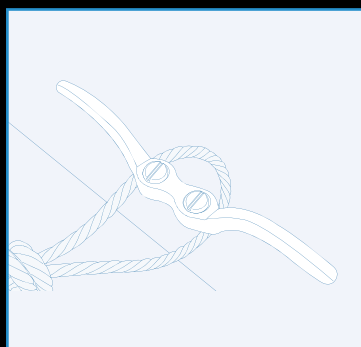


**S506L, S506R**  
Skene chocks

Item no.	S506L	SIZE	B	L	S	
Material	SS316	(inch)	(mm)	(mm)	(mm)	
	6506-1412	4.1/2"	23	114	5	130
	6506-1006	6"	34	150	6	50

Item no.	S506R	SIZE	B	L	S	
Material	SS316	(inch)	(mm)	(mm)	(mm)	
	6506-2412	4.1/2"	23	114	5	130
	6506-2006	6"	34	150	6	50



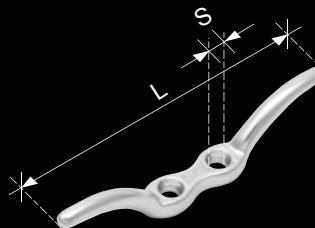
## S4015

### Technical Data

Casting material : AISI316 - DIN 1.4408  
 Production : S4015 - Cleat - Cast  
 Surface treatment : "E.P." (Electro polished)

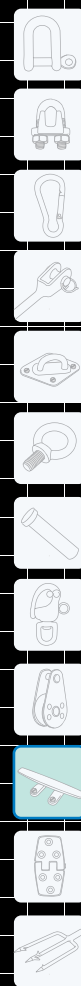
### Field of application

Rope cleats are manufactured with highest precision in casting material to avoid any rust during sea application.

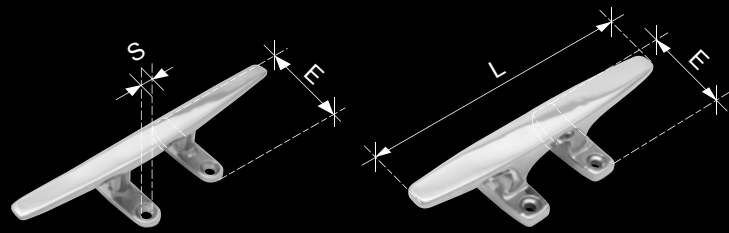
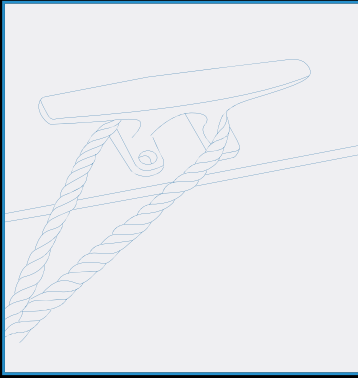


**S4015**  
Rope cleat

Item no.	S4015	SIZE	L	S	
Material	SS316	(inch)	(mm)	(mm)	
	6401-5212	2.1/2"	68	4.5	2,000
	6401-5412	4.1/2"	114	5.8	500
	6401-5006	6"	150	6.7	250



# Anchor, Cleats & Rod holders



**S505**  
Trim line cleat

**S505H**  
Trim line cleat - heavy type

## S505, S505H

### Technical Data

Casting material : AISI316 - DIN 1.4408  
 Production : S505 - Cleat - Cast  
 S505H - Cleat - Cast  
 Surface treatment : "M.P." (Mirror polished)

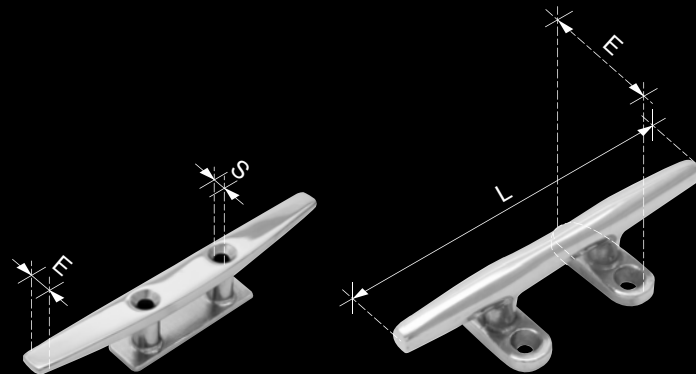
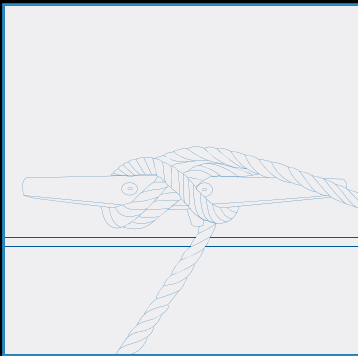
### Field of application

Trim line cleats are manufactured with highest precision in casting material to avoid any rust during sea application.  
 Trim line cleats - heavy type are manufactured with highest precision in casting material to avoid any rust during sea application.

Item no.	S505	SIZE	E	L	Ø S	
Material	SS316	(inch)	(mm)	(mm)	(mm)	
	6505-0004	4"	36.0	100	4.5	150
	6505-0005	5"	46.0	125	5.5	125
	6505-0006	6"	53.0	150	6.5	50
	6505-0008	8"	68.0	200	8.5	40
	6505-0010	10"	82.5	250	8.5	20
	6505-0012	12"	82.5	300	8.5	15

Item no.	S505H	SIZE	E	L	Ø S	
Material	SS316	(inch)	(mm)	(mm)	(mm)	
	6505-5060	6"	56	150	6	75
	6505-5007	7"	60	180	6	40



**S507**  
Blue water cleat

**S508**  
Low flat cleat

## S507, S508

### Technical Data

Casting material : AISI316 - DIN 1.4408  
 Production : S507 - Cleat - Cast  
 S508 - Cleat - Cast  
 Surface treatment : "M.P." (Mirror polished)

### Field of application

Blue water cleats are manufactured with highest precision in casting material to avoid any rust during sea application.  
 Low flat cleats are manufactured with highest precision in casting material to avoid any rust during sea application.

Item no.	S507	SIZE	E	L	Ø S	
Material	SS316	(inch)	(mm)	(mm)	(mm)	
	6507-0004	4"	8	100	4.5	250
	6507-0005	5"	9	125	5.5	140
	6507-0006	6"	12	150	6.5	100
	6507-0008	8"	15	200	8.5	60
	6507-0010	10"	16	250	8.5	40

Item no.	S508	SIZE	E	L	Ø S	
Material	SS316	(inch)	(mm)	(mm)	(mm)	
	6508-0004	4"	35	100	4.5	140
	6508-0005	5"	42	125	5.5	100
	6508-0006	6"	45	150	6.5	100
	6508-0008	8"	54	200	6.5	50
	6508-0010	10"	68	255	8.0	20
	6508-0012	12"	71	300	8.0	15
	6508-0015	15"	115	380	12.5	5



Low flat cleat



Piece per carton.

\* For more information on symbols, refer to page 17.