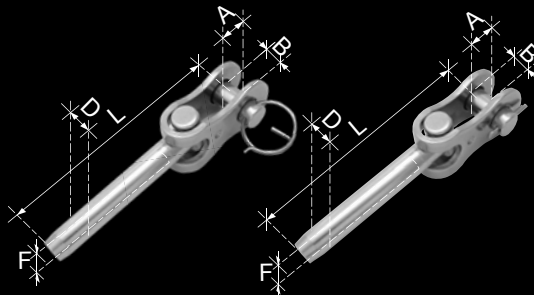
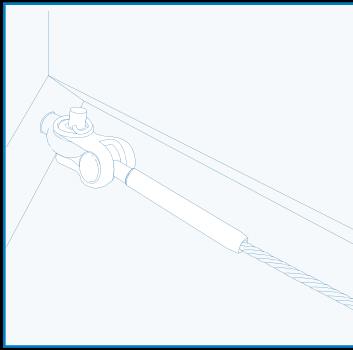
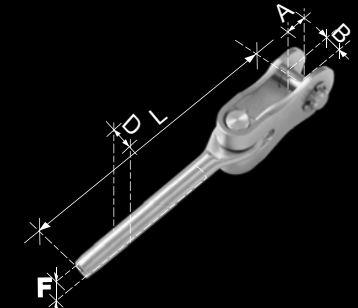


Terminals & Turnbuckles



M **J** **S7805**
Metric Imperial Swage toggle



M **J** **SF7805**
Metric Imperial Swage toggle



S7805, SF7805

Technical Data

Forging material : AISI316 - DIN 1.4401
 Production : S7805 - Terminal - Cast
 Toggle - Forged
 Accessory - See chart
 SF7805 - Terminal/Toggle - Forged
 Accessory - E-Ring
 Surface treatment : "E.P." (Electro polished)

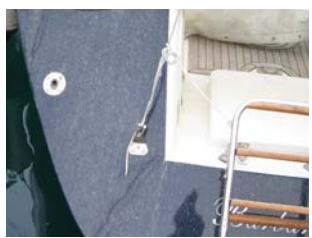
Field of application

Swage toggles are designed for swaging of a loose end wire rope. Wire must be properly swaged by using a swaging machine.

Note:⁽¹⁾ Standard safety factor for working load is 1/4 of breaking load.

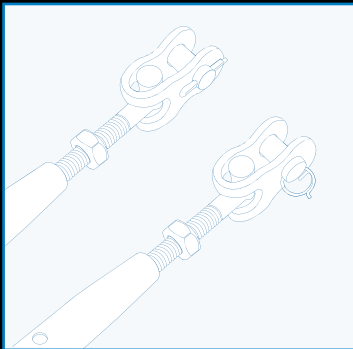
Refer to page IV - class 5 load characteristics

Item no.	SIZE	Ø A	B	Ø D	Dia Ø Cable	Ø F	L	Accessory	P B C	B.L. ⁽¹⁾ (kgs)
S7805										
Material	SS316	(mm/inch)	(mm)	(mm)	(mm)	(mm)	(mm)			
6780-5002	2.0	5	6	5.53	2.0	2.20	2.20	Ring	1,200	1 400
6780-5025	2.5	5	6	5.53	2.5	2.70	2.70	Ring	1,200	2 400
6780-5003	3.0	6	7	6.35	3.0	3.30	3.30	Ring	700	2 670
6780-5004	4.0	8	10	7.54	4.0	4.30	4.30	Ring	400	3 1,400
6780-5005	5.0	9	12	9.12	5.0	5.30	5.30	Ring	200	3 1,700
6780-5006	6.0	12	13	12.54	6.0	6.35	6.35	Ring	150	n/a 4,000
6780-5008	8.0	16	17	16.13	8.0	8.40	8.40	Cotter pin	50	n/a 7,000
6780-5010	10.0	19	20	17.85	10.0	10.50	10.50	Cotter pin	40	n/a 7,500
6780-5332	3/32"	5	6	5.53	3/32"	2.70	2.70	Ring	1,200	n/a 400
6780-5108	1/8"	6	7	6.35	1/8"	3.50	3.50	Ring	700	n/a 670
6780-5532	5/32"	8	10	7.54	5/32"	4.30	4.30	Ring	400	n/a 1,400
6780-5316	3/16"	9	12	9.12	3/16"	5.10	5.10	Ring	200	n/a 1,700
6780-5104	1/4"	12	13	12.54	1/4"	6.70	6.70	Cotter pin	150	n/a 4,000
6780-5516	5/16"	16	17	16.13	5/16"	8.40	8.40	Cotter pin	50	n/a 7,000
6780-5308	3/8"	19	20	17.85	3/8"	9.90	9.90	Cotter pin	25	n/a 7,500

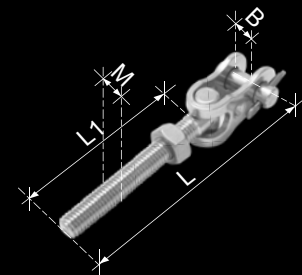


Swage Toggle

Item no.	SIZE	Ø A	B	Ø D	Dia Ø Cable	Ø F	L	Accessory	P B C	B.L. ⁽¹⁾ (kgs)
SF7805										
Material	SS316	(mm)	(mm)	(mm)	(mm)	(mm)	(mm)			
F 2780-5003	3	6	6.4	6.30	3	3.3	3.30	600	1	1,200
F 2780-5004	4	8	9.0	7.50	4	4.3	4.30	300	2	2,000
F 2780-5005	5	10	11.0	9.08	5	5.3	5.30	200	2	3,000
F 2780-5006	6	12	13.0	12.50	6	6.3	6.30	60	3	4,500
F 2780-5007	7	12	13.0	14.25	7	7.4	7.40	50	3	6,000
F 2780-5008	8	14	13.0	16.08	8	8.4	8.40	50	n/a	7,500
F 2780-5010	10	16	18.0	17.80	10	10.5	10.50	40	n/a	8,500
F 2780-5012	12	19	22.0	21.40	12	12.5	12.50	25	n/a	11,500
F 2780-5014	14	22	24.0	24.95	14	14.9	14.90	15	n/a	18,000
F 2780-5016	16	25	28.0	28.10	16	17.1	17.10	10	n/a	20,000



M **B3125/L**
Metric Left threaded toggle



M **B3125/R**
Metric Right threaded toggle



B3125/L, B3125/R

Technical Data

Forging material : AISI316 - DIN 1.4401
 Production : B3125/L - Toggle - Forged
 Accessory - See chart
 B3125/R - Toggle - Forged
 Accessory - See chart
 Surface treatment : "E.P." (Electro polished)

Field of application

Threaded toggles are designed for assembly with the turnbuckles or other fittings together. Selection of left hand or right hand thread must be carefully checked.

Note:⁽²⁾ Standard safety factor for working load is 1/4 of breaking load.

Refer to page IV - class 9 load characteristics

Item no.	SIZE	Ø A	B	L	L1	M	Accessory	P B C	B.L. ⁽²⁾ (kgs)
B3125/L									
Material	SS316	(mm)	(mm)	(mm)	(mm)	(mm)			
6312-5055	M5	5.00	6	63	42	M5	Ring	1,000	1 500
6312-5066	M6	6.00	7	72	48	M6	Ring	350	2 900
6931-2580	M8	8.00	10	88	56	M8	Ring	350	3 1,650
6931-2501	M10	9.00	12	106	67	M10	Ring	180	3 2,500
6931-2521	M12	12.00	13	125	81	M12	Ring	60	n/a 3,700
6931-2541	M14	14.28	15	142	89	M14	Cotter pin	50	n/a 5,000
6931-2561	M16	16.00	17	162	103	M16	Cotter pin	45	n/a 6,950
6931-2502	M20	19.00	20	186	115	M20	Cotter pin	30	n/a 10,000

Item no.	SIZE	Ø A	B	L	L1	M	Accessory	P B C	B.L. ⁽²⁾ (kgs)
B3125/R									
Material	SS316	(mm)	(mm)	(mm)	(mm)	(mm)			
6312-5055	M5	5.00	6	63	42	M5	Ring	1,000	1 500
6312-5066	M6	6.00	7	72	48	M6	Ring	350	2 900
6931-2580	M8	8.00	10	88	56	M8	Ring	350	3 1,650
6931-2501	M10	9.00	12	106	67	M10	Ring	180	3 2,500
6931-2521	M12	12.00	13	125	81	M12	Ring	60	n/a 3,700
6931-2541	M14	14.28	15	142	89	M14	Cotter pin	50	n/a 5,000
6931-2561	M16	16.00	17	162	103	M16	Cotter pin	45	n/a 6,950
6931-2502	M20	19.00	20	186	115	M20	Cotter pin	30	n/a 10,000