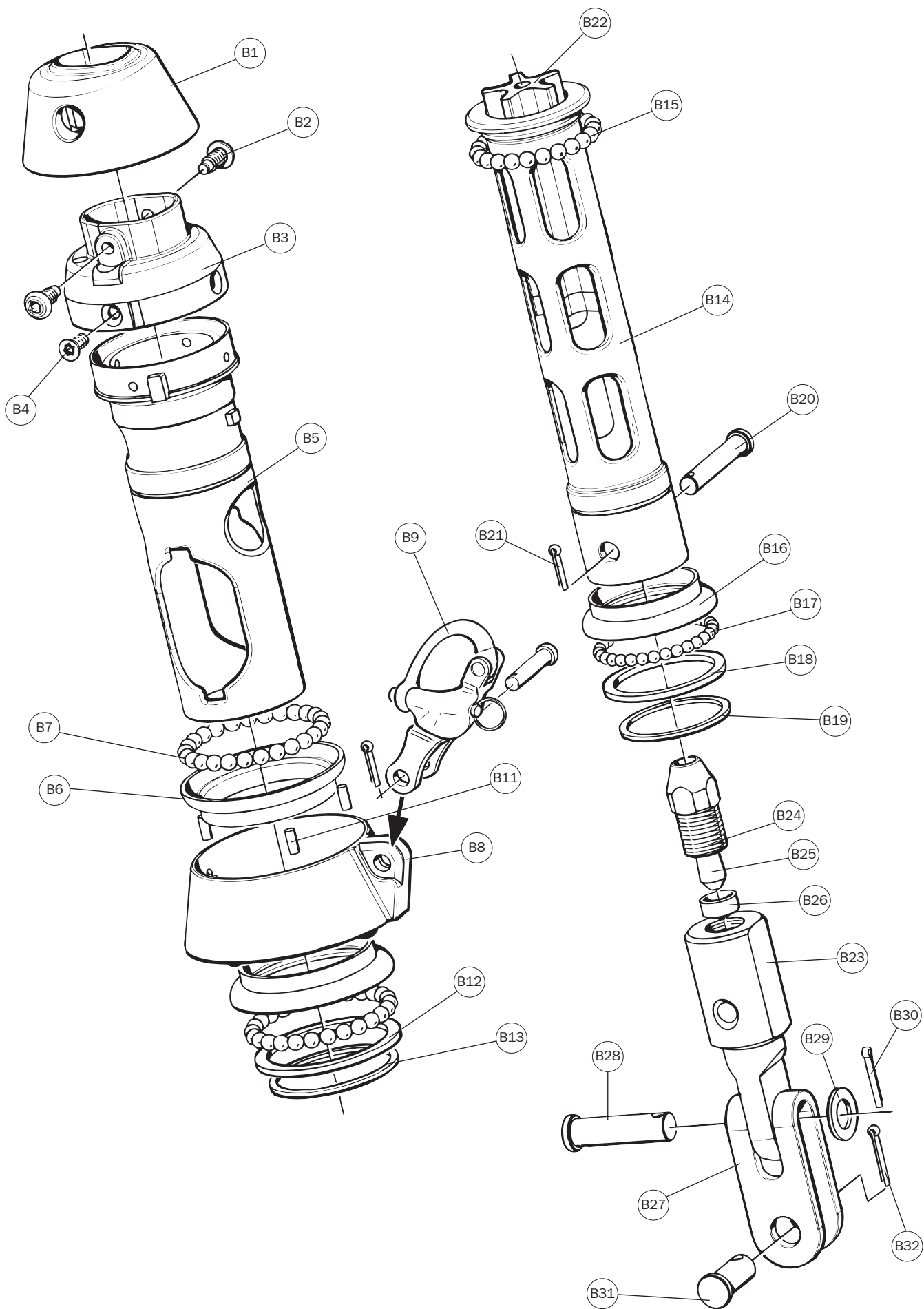


		Serie 200					Serie 300				
				Forestay wire size					Forestay wire size		
Item	Description	Dimension	Qty	Ø6mm	Ø7mm	Ø8mm	Dimension	Qty	Ø8mm	Ø10mm	
		Assembly number →		539-551-01	539-551-01	539-551-01	Assembly number →		539-251-02	539-251-02	
B1	Adapter	Ø78x40	1	539-554	539-554	539-554	Ø90x44	1	539-254	539-254	
B2	Screw (machined)	MRT 6x19	2	155-823	155-823	155-823	MRT 8x20	2	155-822	155-822	
B3	Carrier	Ø73x44	1	539-553 <sup>2)</sup>	539-553 <sup>2)</sup>	539-553 <sup>2)</sup>	Ø90x50	1	539-253 <sup>2)</sup>	539-253 <sup>2)</sup>	
B4	Screw	MFT 5x10	4	162-064	162-064	162-064	MFT 6x12	4	162-030	162-030	
B5	Hub	Ø52x147	1	539-552 <sup>2)</sup>	539-552 <sup>2)</sup>	539-552 <sup>2)</sup>	Ø62x186	1	539-252 <sup>2)</sup>	539-252 <sup>2)</sup>	
B6	Ball bearing ring-outer	Ø68/52-16	2	539-272	539-272	539-272	Ø83/64-16	2	539-270	539-270	
B7	Ball	Ø6	2x30	539-034	539-034	539-034	Ø8	2x27	539-128	539-128	
B8	Tackring	Ø105x40	1	539-556	539-556	539-556	Ø120x61	1	539-297	539-297	
B9	Snap shackle	85 mm	1	307-336	307-336	307-336	85 mm	1	307-336	307-336	
B11	Buffer	Ø5x8	3	319-656	319-656	319-656	Ø5x8	3	319-656	319-656	
B12	Washer	Ø62/52-37	1	164-441	164-441	164-441	Ø74/62-3	1	164-440	164-440	
B13	Clip ring	MST 204	1	301-508	301-508	301-508	MST 243	1	301-507	301-507	
B14	Shaft	Ø58/42-194	1	539-551	539-551	539-551	Ø62/52-250	1	539-251	539-251	
B15	Ball	Ø6	28	539-034	539-034	539-034	Ø8	22	539-128	539-128	
B16	Ball bearing ring-outer	Ø57/50-15	1	539-521	539-521	539-521	Ø68/52-16	1	539-272	539-272	
B17	Ball	Ø6	26	539-034	539-034	539-034	Ø6	30	539-034	539-034	
B18	Washer	Ø52/42-3	1	164-443	164-443	164-443	Ø62/52-3	1	164-441	164-441	
B19	Clip ring	MST 173	1	301-510	301-510	301-510	MST 204	1	301-508	301-508	
B20	Clevis pin	Ø8x50	1	165-108	165-108	165-108	Ø10x58	1	165-213	165-213	
B21	Split pin	2,3x12	1	301-047	301-047	301-047	2,3x16	1	301-048	301-048	

<sup>2)</sup>	Only as an assembly B3-B5	1	539-552-01	539-552-01	539-552-01	-	1	539-252-01	539-252-01
---------------	---------------------------	---	------------	------------	------------	---	---	------------	------------

		Assembly number →		301-601-11	301-602-11	301-603-11	Assembly number →		301-604-11	301-605-11
B22	Distance bearing <sup>1)</sup>	Ø36/6,6x120	1	539-518	-	-	Ø41/8,6x125	1	539-284	-
B22	Distance bearing <sup>1)</sup>	Ø36/7,7x120	1	-	539-519	-	Ø41/10,6x125	1	-	539-288
B22	Distance bearing <sup>1)</sup>	Ø36/8,8x120	1	-	-	539-520	-	-	-	-
B23	Terminal part	Ø36x106	1	301-601 <sup>2)</sup>	-	-	Ø42x124	1	301-604 <sup>2)</sup>	-
B23	Terminal part	Ø36x109	1	-	301-602 <sup>2)</sup>	-	Ø42x125	1	-	301-605 <sup>2)</sup>
B23	Terminal part	Ø36x104	1	-	-	301-603 <sup>2)</sup>	-	-	-	-
B24	Socket	Sta Lok Wire Ø6	1	301-194	-	-	Sta Lok Wire Ø8	1	301-196	-

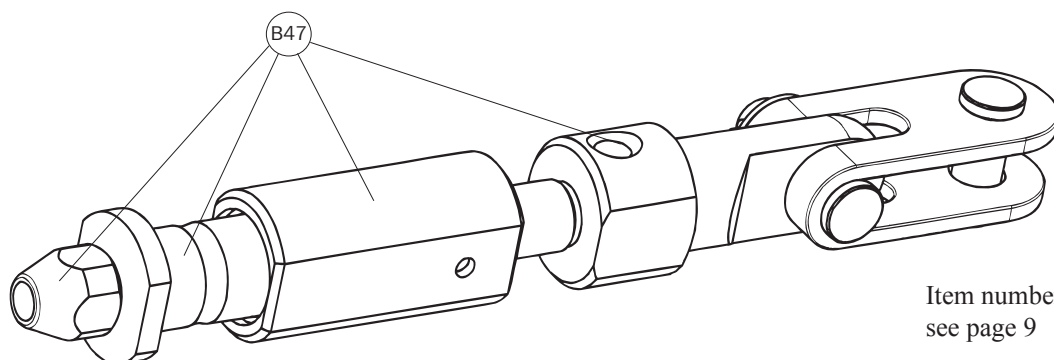
(To be continued on page 8)



Item	Description	Serie 200					Serie 300				
		Dimension	Qty	Forestay wire size			Dimension	Qty	Forestay wire size		
				Ø6mm	Ø7mm	Ø8mm			Ø8mm	Ø10mm	
B24	Socket	Sta Lok Wire Ø7	1	-	301-195	-	Sta Lok Wire Ø10	1	-	301-197	
B24	Socket	Sta Lok Wire Ø8	1	-	-	301-196	-	-	-	-	
B25	Wedge	L=33	1	301-152	-	-	L=42	1	301-154	-	
B25	Wedge	L=36	1	-	301-153	-	L=50	1	-	301-155	
B25	Wedge	L=42	1	-	-	301-154	-	-	-	-	
B26	Former	Ø13,4	1	301-157	-	-	Ø16,3	1	301-159	-	
B26	Former	Ø14,8	1	-	301-158	-	Ø19,2	1	-	301-163	
B26	Former	Ø16,3	1	-	-	301-159	-	-	-	-	
B27	Toggle fork/fork	H(c/c)=40	1	517-046 <sup>3)4)</sup>	-	-	H(c/c)=50	1	517-048 <sup>3)4)</sup>	-	
B27	Toggle fork/fork	H(c/c)=40	1	-	517-047 <sup>3)4)</sup>	-	H(c/c)=55	1	-	517-060 <sup>3)4)</sup>	
B27	Toggle fork/fork	H(c/c)=50	1	-	-	517-048 <sup>3)4)</sup>	-	-	-	-	
B28	Clevis pin	Ø12x37	1	165-409 <sup>4)</sup>	165-409 <sup>4)</sup>	-	Ø14x49	1	165-503 <sup>4)</sup>	-	
B28	Clevis pin	Ø14x49	1	-	-	165-503 <sup>4)</sup>	Ø16x50	1	-	165-552 <sup>4)</sup>	
B29	Washer	Ø24/13-2,5	1	164-404 <sup>4)</sup>	164-404 <sup>4)</sup>	-	Ø24/14-2	2	164-420 <sup>4)</sup>	-	
B29	Washer	Ø24/14-2	2	-	-	164-420 <sup>4)</sup>	Ø30/17-3	2	-	164-410 <sup>4)</sup>	
B30	Split pin	Ø2,9x16	1	301-049 <sup>4)</sup>	-	-	Ø3,7x20	1	301-053 <sup>4)</sup>	301-053 <sup>4)</sup>	
B30	Split pin	Ø2,9x18	1	-	301-050 <sup>4)</sup>	-	-	-	-	-	
B30	Split pin	Ø3,7x20	1	-	-	301-053 <sup>4)</sup>	-	-	-	-	
B31	Clevis pin	Ø10x22	1	165-202 <sup>3)4)</sup>	-	-	Ø14x31	1	165-501 <sup>3)4)</sup>	-	
B31	Clevis pin	Ø12x25	1	-	165-401 <sup>3)4)</sup>	-	Ø16x34	1	-	165-560 <sup>3)4)</sup>	
B31	Clevis pin	Ø14x31	1	-	-	165-501 <sup>3)4)</sup>	-	-	-	-	
B32	Split pin	Ø2,9x16	1	301-049 <sup>3)4)</sup>	-	-	Ø3,7x20	1	301-053 <sup>3)4)</sup>	301-053 <sup>3)4)</sup>	
B32	Split pin	Ø2,9x18	1	-	301-050 <sup>3)4)</sup>	-	-	-	-	-	
B32	Split pin	Ø3,7x20	1	-	-	301-053 <sup>3)4)</sup>	-	-	-	-	

## Rigging screw

B47	Rigging screw	-	-	174-536-11	174-537-11	174-538-11	-	-	174-519-11	174-520-11
-----	---------------	---	---	------------	------------	------------	---	---	------------	------------



Item number:  
see page 9

1)	To be excluded when riggingscrew is used									
2)	Only as an assembly B23-B32	1	301-601-11	301-602-11	301-603-11	-	1	301-604-11	301-605-11	
3)	Also as an assembly B27, B31-B32	1	517-046-01	517-047-01	517-048-01	-	1	517-048-01	517-060-03	
4)	Also as an assembly B27-B32	1	517-046-02	517-047-02	517-048-02	-	1	517-048-02	517-060-04	