

# Quick®

CE REV 001B

**High Quality Nautical Equipment**

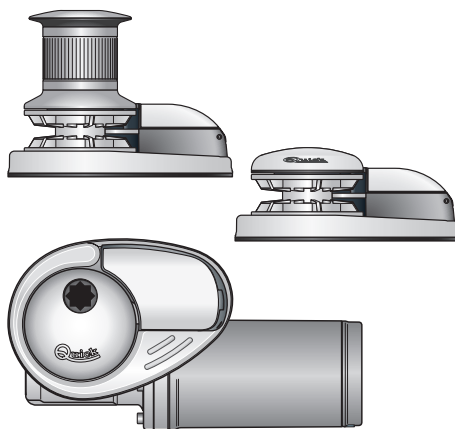
## **DP1 SERIE PRINCE**

### **300/500W**

**DP1 312**

**DP1 512**

**DP1 524**



**IT**

Manuale d'uso

**GB**

User's Manual

**FR**

Manuel de l'utilisateur

**DE**

Benutzerhandbuch

**ES**

Manual del usuario

**SALPA ANCORA VERTICALI**

**VERTICAL WINDLASSES**

**GUINDEAUX VERTICAUX**

**VERTIKAL ANKERWINDEN**

**MOLINETES VERTICALES**



---

## **IT** INDICE

Pag. 4	Caratteristiche tecniche	Pag. 7	Usò - Avvertenze importanti
Pag. 5	Installazione	Pag. 8/9	Manutenzione
Pag. 6	Schema di collegamento	Pag. 10/11	Set

---

## **GB** INDEX

Pag. 12	Technical data	Pag. 15	Usage - Warning
Pag. 13	Installation	Pag. 16/17	Maintenance
Pag. 14	Connection diagram	Pag. 18/19	Set

---

## **FR** SOMMAIRE

Pag. 20	Caractéristiques techniques	Pag. 23	Utilisation - Avertissements importants
Pag. 21	Installation	Pag. 24/25	Entretien
Pag. 22	Schéma de câblage	Pag. 26/27	Groupe

---

## **DE** INHALTSANGABE

Seite 28	Technische Eigenschaften	Seite 31	Gebrauch - Wichtige Hinweise
Seite 29	Montage	Seite 32/33	Wartung
Seite 30	Anschlussplan	Seite 34/35	Gruppe

---

## **ES** INDICE

Pág. 36	Características técnicas	Pág. 39	Usò - Advertencias importantes
Pág. 37	Instalación	Pág. 40/41	Mantenimiento
Pág. 38	Esquema de montaje	Pág. 42/43	Grupo

---



## HOW TO IDENTIFY THE WINDLASS THROUGH THE CODE:

1° EXAMPLE: DP1312D

DP1	3	12	D
↓	↓	↓	↓
A	B	C	D

2° EXAMPLE: DP1524

DP1	5	24	-
↓	↓	↓	↓
A	B	C	D

**A**

Name of the line:  
[ DP1 ]

**B**

Motor power:  
[ 3 ] = 300 W  
[ 5 ] = 500 W

**C**

Motor supply voltage:  
[ 12 ] = 12 V  
[ 24 ] = 24 V

**D**

Drum:  
[ D ] = with drum  
[ - ] = without drum

MODELS	DP1 - / D			DP1 HI SPEED <sup>(6)</sup>	
<b>MOTOR POWER</b>	300W	500W		500W	
Motor supply voltage	12V	12V	24V	12V	24V
Maximum pull	370 kg (815,7 lb)	660 kg (1455,0 lb)		600 kg (1322,8 lb)	
Maximum working load	120 kg (264,5 lb)	200 kg (440,9 lb)	220 kg (485,0 lb)	170 kg (374,8 lb)	200 kg (440,9 lb)
Working load	40 kg (88,2 lb)	65 kg (143,3 lb)	70 kg (154,3 lb)	65 kg (143,3 lb)	70 kg (154,3 lb)
Current absorption @ working load (1)	65 A	80 A	40 A	100 A	50 A
Maximum chain speed (2)	m/min 26,3 (86,3 ft/min)	28,9 (94,8 ft/min)	28,2 (92,5 ft/min)	43,0 (141,1 ft/min)	42,5 (139,4 ft/min)
Max. chain speed @ working load (2)	m/min 24,4 (80,1 ft/min)	24,3 (79,7 ft/min)	24,1 (79,1 ft/min)	34,5 (113,2 ft/min)	35,0 (114,8 ft/min)
Motor cable size (3)	16 mm <sup>2</sup> (AWG5)		10 mm <sup>2</sup> (AWG7)	25 mm <sup>2</sup> (AWG3)	10 mm <sup>2</sup> (AWG7)
Protection circuit breaker (4)	50 A	60 A	40 A	80 A	40 A
Deck thickness (5)	20 ÷ 30 mm (25/32" ÷ 1" 3/16)				
Weight - model without drum	7,6 Kg (16,7 lb)				
Weight - model with drum	8,4 Kg (18,5 lb)				

(1) After an initial period of use.

(2) Measurements taken with a gypsy for a 8 mm chain.

(3) Minimum allowable value for a total length L<20m (see pag. 44). Determine the cable size according to the length of the wiring.

(4) With circuit breaker designed for direct currents (DC) and delayed-action (thermal-magnetic or hydraulic-magnetic).

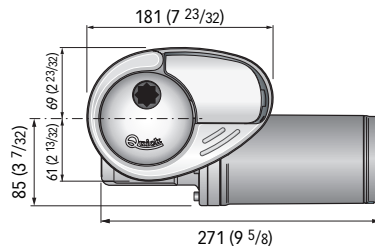
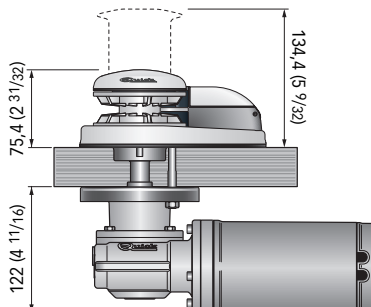
(5) On request, shafts and studs can be supplied for greater deck thicknesses.

(6) Only on request.

GYPSY (*)	6 mm		1/4"
Chain size	6 mm	6 mm	1/4"
	DIN 766	ISO	BBB

(\*) For the gypsy codes, please consult the exploded drawing on page 16.

## DIMENSIONS OF MODELS mm ( inch ) • DP1 300 / 500W - / D



Quick® reserves the right to introduce changes to the equipment and the contents of this manual without prior notice.

In case of discordance or errors in translation between the translated version and the original text in the Italian language, reference will be made to the Italian or English text.



## BEFORE USING THE WINDLASS READ THESE INSTRUCTIONS CAREFULLY. IF IN DOUBT, CONTACT YOUR NEAREST "QUICK®" DEALER.

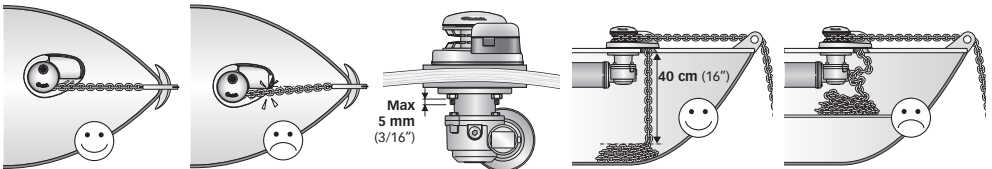
- WARNING:** the Quick® windlasses are designed to weigh the anchor. Do not use the equipment for other purposes.
- Quick® shall not be held responsible for damage to equipment and/or personal injury, caused by a faulty use of the equipment. The windlass is not designed for the loads that might occur in extreme weather conditions (storms).
- Always deactivate the windlass when not in use. Check that there are no swimmers nearby before dropping anchor.
- The splice between the rope and the chain must be tightly woven for the rope to slide easily into the gypsy shape. For any problem or request, feel free to contact Quick® Technical Service. For improved safety we recommend installing at least two anchor windlass controls in case one is accidentally damaged. We recommend the use of the Quick® hydraulic-magnetic switch as the motor safety switch. Secure the chain with a further device before starting the navigation.
- The contactor unit or reversing contactor unit must be installed in a point protected from accidental water contact.
- After completing the anchorage, secure the chain or rope to fixed points such as chain stopper or bollard.
- To prevent accidental releases, the anchor must be secured. The windlass shall not be used as the only securing device.
- Isolate the windlass from the power system during navigation (switch the circuit breaker off) and lock the chain securing it to a fixed point of the boat.

**THE PACKAGE CONTAINS:** windlass (on deck unit + motorgearbox) - reversing contactor unit - base gasket - drill template - handle - bolts and screws (for assembly) - user's manual - conditions of warranty.

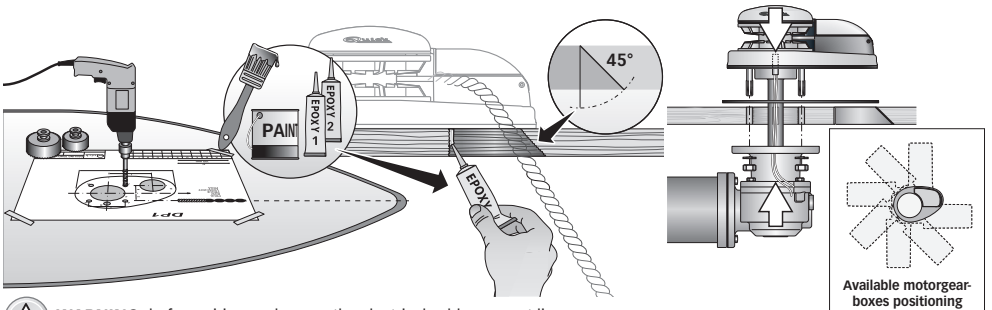
**TOOLS REQUIRED FOR INSTALLATION:** drill and drill bits: 9 mm (23/64") and Ø 11 mm (7/16"); Ø 46 mm (1"13/16) and Ø 62 mm (2"7/16) hollow mill; hexagonal wrench: 13 mm.

**"QUICK®"ACCESSORIES RECOMMENDED:** anchoring RL control board (mod. 800) - Waterproof hand holds R/C (mod. HRC1002) - Foot switch (mod. 900) - Hydraulic-magnetic circuit breaker - Anchor chain counter (mod. CHC1102M and CHC1202M) - Radio control RRC (mod. R02, P02, H02).

**INSTALLATION REQUIREMENTS:** the windlass must be positioned with the gypsy aligned with the bow roller. Ensure that the upper and lower surfaces of the deck are as parallel as possible. If this is not the case, compensate the difference appropriately (a lack of parallelism could result in a loss of motor power). The deck thickness must be included among the figures listed in the table. In cases of other thicknesses it is necessary to consult a Quick® retailer. There must be no obstacles under deck to the passage of cables, rope and chain; lack of depth of the peak could cause jamming.



**FITTING PROCEDURE:** when the ideal position has been established, drill four holes using the drilling template provided. Remove excess material from the chain passage, refine and flatten with a specialized product (marine paint, gel coat or two pack epoxy) to assure free passage for both rope and chain. Position the upper section, inserting the gasket between the deck and the base and connect the lower section to the assembly, inserting the shaft into the reduction unit. Fix the windlass by screwing the nuts onto the fixing studs. Connect the supply cables from the windlass to the reversing contactor unit.



- WARNING:** before wiring up, be sure the electrical cables are not live.

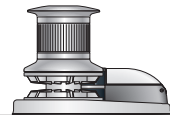


## BASIC SYSTEM

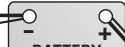
SEE PAGE 44  
SHOWING THE MAIN  
CONNECTION DIAGRAM

MULTI-PURPOSE  
WATERTIGHT HAND HELD  
REMOTE CONTROL  
MOD. HRC 1002

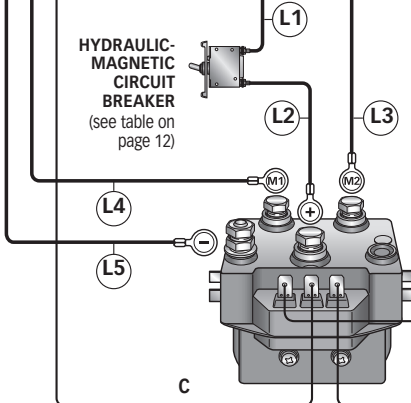
WINDLASS



MOTOR



HYDRAULIC-  
MAGNETIC  
CIRCUIT  
BREAKER  
(see table on  
page 12)



## QUICK® ACCESSORIES FOR WINDLASS OPERATION



WATERTIGHT HAND HELD  
CHAIN COUNTER

WINDLASSES  
CONTROL  
BOARD



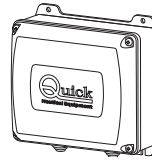
WATERTIGHT  
PANEL  
CHAIN COUNTER



## REMOTE RADIO CONTROLS

RECEIVER

TRANSMITTERS



RADIO POCKET



HANDHELD

## FOOT SWITCHES MOD. 900U AND 900D



BLACK  
BROWN  
BLUE

BLACK

BROWN

BLUE





FUSE  
4A (12V)  
2A (24V)

REVERSING  
CONTACTOR UNIT  
MOD. T6415-12 (12V)  
MOD. T6415-24 (24V)

$$L = (L1) + (L2) + (L3) + (L4) + (L5)$$



## WARNING

-  **WARNING:** stay clear of the chains, ropes and gypsy. Make sure the electric motor is off when windlass is used manually (even when using the handle to disengage the clutch). In fact people with windlass remote controls (hand-held remote control or radio-controlled systems) might accidentally operate it.
-  **WARNING:** secure the chain with a device before starting the navigation.
-  **WARNING:** do not operate the windlass by using the electrical power when the handle is inserted in the drum or into the gypsy cover.
-  **WARNING:** Quick® recommend using a circuit breaker designed for direct current (DC) with delayed-action (thermal-magnetic or hydraulic-magnetic) to protect the motor supply line from overheating or short circuits. The circuit breaker can be used to cut off power to the windlass control circuit and so avoid accidental activation.

## CLUTCH USE

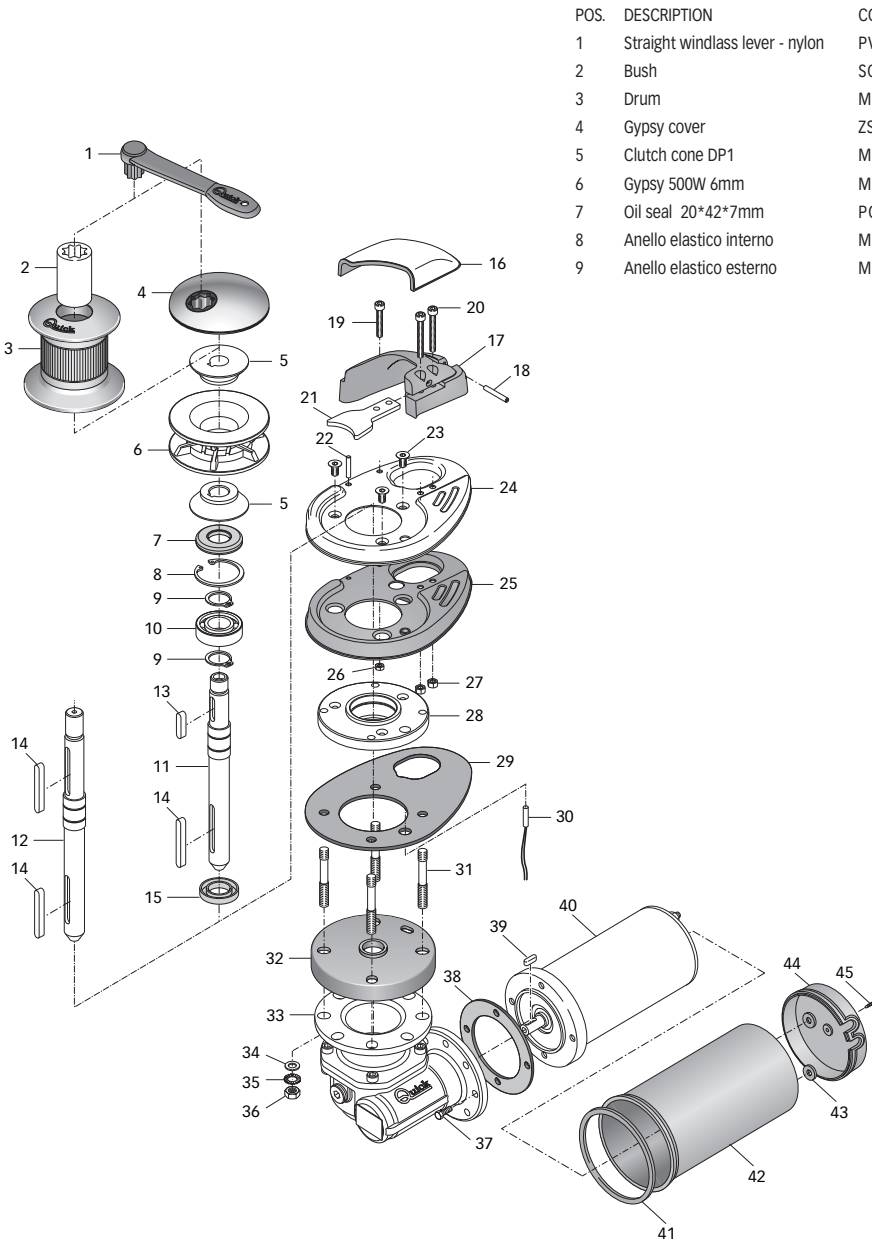
The clutch (5) provides a link between the gypsy and the main shaft (11 or 12). The clutch can be released (disengagement) by using the handle (1) which, when inserted in the bush (2) of the drum or into the gypsy cover (4), must be turned counter-clockwise. The clutch will be re-engaged by turning it clockwise (engagement).

## WEIGHING THE ANCHOR

Turn on the engine. Make sure the clutch is engaged and remove the handle. Press the UP button on the control provided. If the windlass stops and the hydraulic magnetic switch (or thermal cutout) has not tripped, wait a few seconds and try again (avoid keeping the button pressed). If the hydraulic magnetic switch, has tripped, reset it and wait a few minutes before weighing anchor once again. If, after a number of attempts, the windlass is still blocked, we suggest to move the boat to release the anchor. Check the upward movement of the chain for the last few meters in order to avoid damages to the bow.

## CASTING THE ANCHOR

The anchor can be cast by using the electrical control or manually. To operate manually, the clutch must be disengaged allowing the gypsy to revolve and letting the rope or chain fall into the water. To slow down the chain, the handle must be turned clockwise. To cast the anchor by using the electrical power, press the DOWN button on the control provided. In this manner, anchor casting is under control and the chain and rope unwind evenly. In order to avoid any stress on the windlass -once the boat is anchored- fasten the chain or secure it in place with a rope.



POS.	DESCRIPTION	CODE
1	Straight windlass lever - nylon	PVLVSDN00000
2	Bush	SGMSD0400000
3	Drum	MSE050000R03
4	Gypsy cover	ZSPMSGB05R03
5	Clutch cone DP1	MSFDP1000000
6	Gypsy 500W 6mm	MSB040600000
7	Oil seal 20*42*7mm	PGPRL2042700
8	Anello elastico interno	MBAN4217Y000
9	Anello elastico esterno	MBAE2012Y000



POS.	DESCRIPTION	CODE
10	Bearing	MBJ160040000
11	Shaft DP1	MSASDP100R00
12	Shaft DP1 D	MSASDP1D0R00
13	Key 6*6*25	MBH060625X00
14	Key 6*6*50	MBH060650X00
15	Oil seal 20*35*7mm	PGPRL2035700
16	Chain guide cover DP1	PDGCDP100000
17	Plastic chain pipe DP1	PDPSSDP10R01
18	Screw M 4*30 stainless steel	MBV0430MXVEP
19	Screw M 5*30 stainless steel	MBV0530MXCE0
20	Screw M 5*40 stainless steel	MBV0540MXCE0
21	Chain stripper DP1 stainless steel	SPMSNDP10000
22	Plug 4*22 stainless steel	MBSC04022A00
23	Screw M 6*12 stainless steel	MBV0612MXTSC
24	Cover base DP1 stainless steel	SPMSGB0DP1X0
25	Insert plastic cover DP1	PDNCDP10000
26	Nut M4	MBD04MXEN000
27	Nut M5	MBD05MXEN000
28	Round base DP1 anodized aluminium	SGMSC0DP1A00
29	Gasket / jig	PGBSDP100000
30	Sensor	KNREEDCL0000
31	Stud	MBP080608X00
32	Gearbox flange gasket 300/500W	PGFLRTG4000
33A	Gearbox 500W Quick series	SLMR05TG4000
33B	Gearbox "Hi Speed" 500W Quick series	SLMR05TG40HS
34	Washer	MBR08X000000
35	Spring washer	MBR08XDE0000
36	Nut	MBD08MXEN000
37	Screw	MBV0516MXE00
38	Geared motor seal	PGBMR0400000
39	Key	MBH040415F00
40A	Electric motor 300W 12V	EMF031200000
40B	Electric motor 500W 12V	EMF051200000
40C	Electric motor 500W 24V	EMF052400000
41	Flange gasket	PGGPMFN04000
42	Motor casing watertight 300/500W	PCCCPM040000
43	Poles gasket electric motor 300/500W	PGGPMPM04000
44	Bottom protec cover electric motor 300/500W	PCCPPMFN0400
45	Screw	MBV03916AXCC



**WARNING:** make sure the electrical power to the motor is switched off when working manually on the windlass. Carefully remove the chain from the gypsy or the rope from the drum.

Quick® windlasses are manufactured with materials resistant to marine environments. In any case, any salt deposits on the outside must be removed periodically to avoid corrosion and damage to the equipment. The parts where salt may have built up should be washed thoroughly with fresh water.

Once a year, the drum and the gypsy are to be taken apart as follows:

### DRUM VERSION

Use the handle (1) to loosen the bush (2); pull off the drum (3) and the top clutch cone (5); loosen the fixing screws (20) of the rope/chain stripper (21) and remove it. Pull off the gypsy (6).

### NO-DRUM VERSION

Use the handle (1) to remove the gypsy cover (4); remove the top clutch cone (5); loosen the fixing screws (20) of the rope/chain stripper (21) and remove it. Pull off the gypsy (6).

Clean all the parts removed to avoid corrosion, and grease the shaft thread (11 or 12) and the gypsy (6) where the clutch cones rest (5).

Clean all the parts removed to avoid corrosion, and grease the shaft thread (11 or 12) and the gypsy (6) where the clutch cones rest (5).

Remove any oxide deposits from the terminals of the electric motor and the reversing contactor unit; grease them.

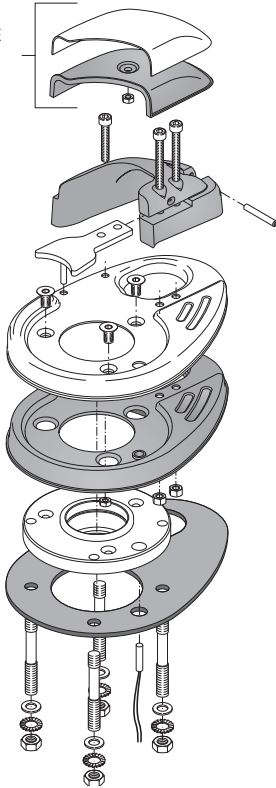


**DRUM - DP1**

OSP WINDLASS DRUM 500W Ø50MM

CODE

FVSSMSE04000A00

\* CHAIN GUIDE  
COVER KIT**COMPLETE BASE - DP1**

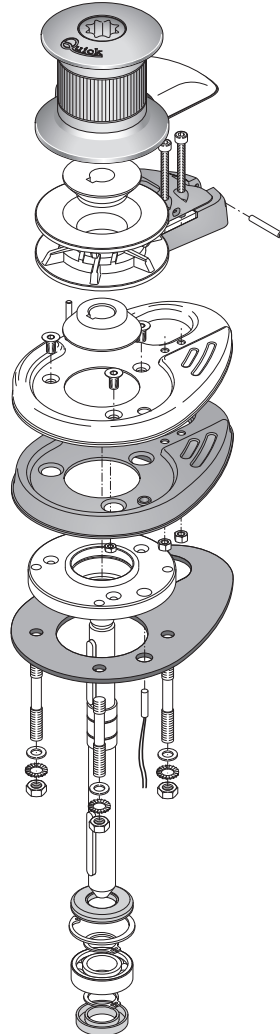
OSP WINDLASS BASE SERIES DP1 COMP

\* OSP CHAIN GUIDE COVER KIT DP1

CODE

FVSSBDP110C00A00

FVSSCPSCP10A00

**TOP WITH DRUM - DP1**

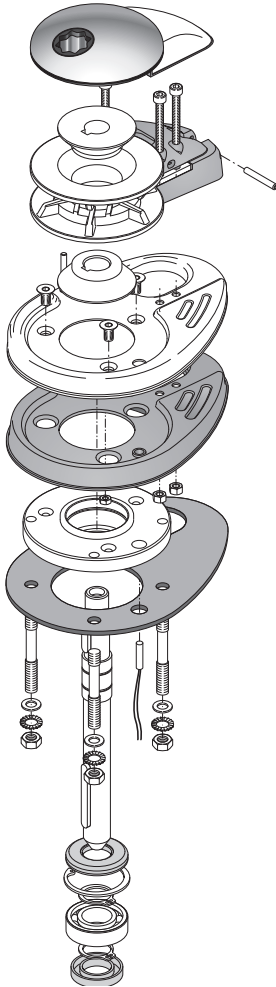
OSP TOP DP1 1/4" D

OSP TOP DP1 6MM D

CODE

FVSSDTP1D001A00

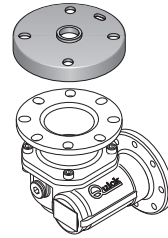
FVSSDTP1D006A00



**TOP WITHOUT DRUM - DP1**

OSP TOP DP1 1/4"  
OSP TOP DP1 6MM

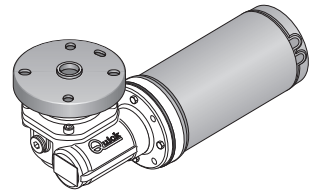
CODE  
FVSSTDP10001A00  
FVSSTDP10006A00



**GEARBOX**

CODE

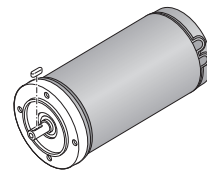
OSP GEARBOX 500W WINDLASS QUICK TG40 FVSSMR05TG40A00  
OSP GEARBOX 500W WINDLASS QUICK TG40 HS FVSSMR0540HSA00



**MOTORGEARBOX**

CODE

OSP MOTORGEARBOX 300W 12V QUICK FVSSR0312Q00A00  
OSP MOTORGEARBOX 500W 12V QUICK FVSSR0512Q00A00  
OSP MOTORGEARBOX 500W 12V QUICK HS FVSSR0512Q0HSA00  
OSP MOTORGEARBOX 500W 24V QUICK FVSSR0524Q00A00  
OSP MOTORGEARBOX 500W 24V QUICK HS FVSSR0524Q0HSA00

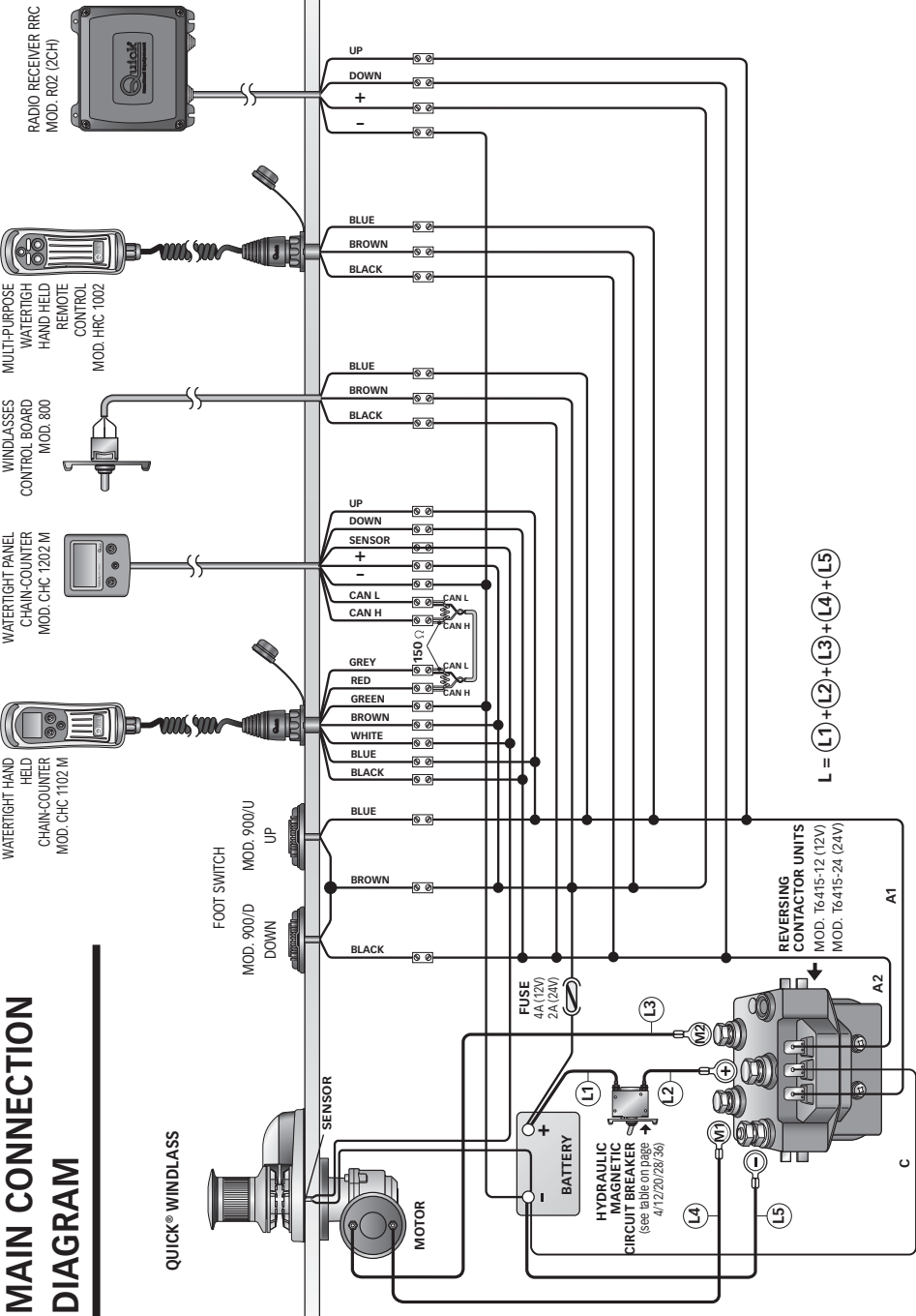


**ELECTRIC MOTOR**

CODE

OSP ELECTRIC MOTOR WINDLASS 300W 12V FVSSM0312000A00  
OSP ELECTRIC MOTOR WINDLASS 500W 12V FVSSM0512000A00  
OSP ELECTRIC MOTOR WINDLASS 500W 24V FVSSM0524000A00

# MAIN CONNECTION DIAGRAM







# DP1 SERIE PRINCE

## 300/500W

R001B

- IT** Codice e numero seriale del prodotto
- GB** Product code and serial number
- FR** Code et numéro de série du produit
- DE** Code- und Seriennummer des Produkts
- ES** Código y número de serie del producto

**Quick**<sup>®</sup>  
Nautical Equipment

QUICK<sup>®</sup> S.p.A. - Via Piangipane, 120/A - 48124 Piangipane (RAVENNA) - ITALY  
Tel. +39.0544.415061 - Fax +39.0544.415047  
[www.quickitaly.com](http://www.quickitaly.com) - E-mail: [quick@quickitaly.com](mailto:quick@quickitaly.com)