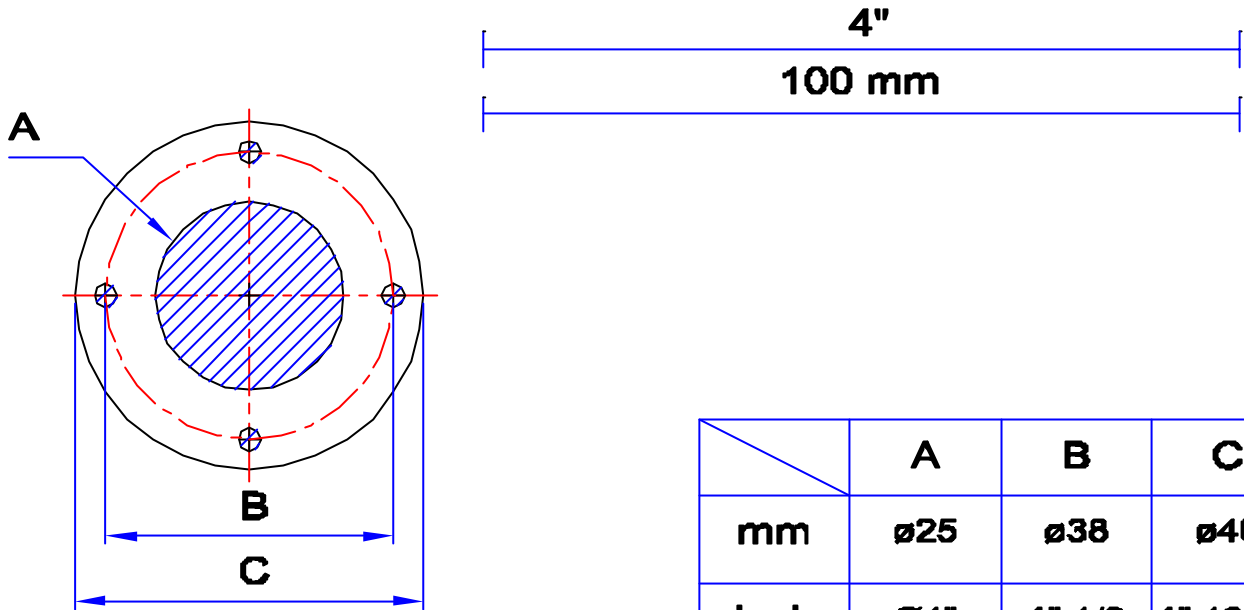


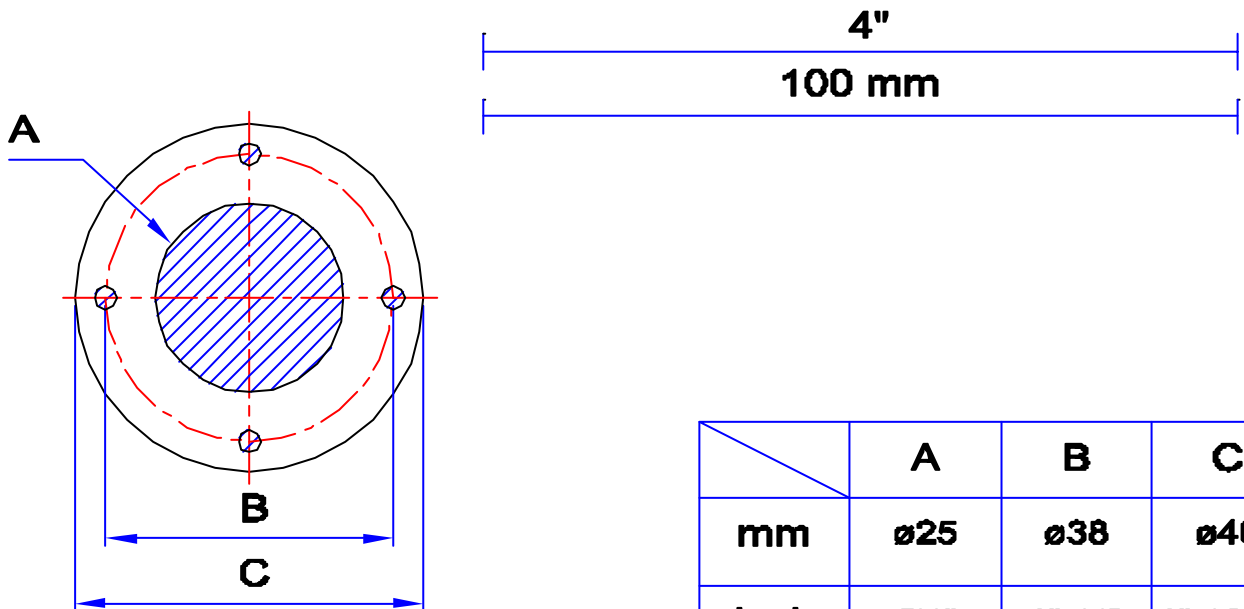
SOCKET FOR CHC 1102M - HRC



	A	B	C
mm	ø25	ø38	ø46
inch	Ø1"	1" 1/2	1" 13/16

	Name DRILLING TEMPLATE		Rev. <table border="1"><tr><td>1</td><td>2</td><td>3</td><td>4</td></tr></table>				1	2	3	4
	1	2	3	4						
	Model SOCKET FOR CHC 1102M - HRC		Size A5			Scale 1:1				
				Drawing units mm/inch		File				
					Date 28/11/05					
<small>This is an unpublished work the copyright in which rest in Quick Srl. All this document and its information is supplied without liability for error or party may be reproduced used or disclosed except as authorized by contract or permission.</small>										

SOCKET FOR CHC 1102M - HRC



	A	B	C
mm	ø25	ø38	ø46
inch	Ø1"	1" 1/2	1" 13/16

	Name DRILLING TEMPLATE		Rev. <table border="1"><tr><td>1</td><td>2</td><td>3</td><td>4</td></tr></table>				1	2	3	4
	1	2	3	4						
	Model SOCKET FOR CHC 1102M - HRC		Size A5			Scale 1:1				
				Drawing units mm/inch		File				
					Date 28/11/05					
<small>This is an unpublished work the copyright in which rest in Quick Srl. All this document and its information is supplied without liability for error or party may be reproduced used or disclosed except as authorized by contract or permission.</small>										